

DATA SHEET

Vandal Dome: Mini PTZ Day/Night | 22X | 580 TVL



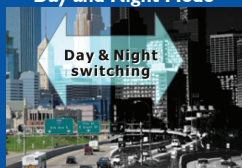
HIGH RESOLUTION IMAGE CAPTURE

MODEL: DM/CAM/VSD22XIA
DM/CAM/VSD22XOA

FEATURES

- Superior image quality (580 TVL)
- Built-in optical power zoom camera with True Night Shot Function and Wide Dynamic Range
- 120 Preset positions with the individual camera AE setup
- 4 Tours consist of Presets, Patterns, Auto Scans and other Tours can be programmed with over 150 functions and Preset locations
- 4 Auto Scans with the normal, the vector, and the random mode and the Endless Auto-Pan with 13 speed steps
- 4 Patterns (up to 200 seconds)
- 4 Privacy Zone masking and 8 Area Titles
- 180° Digital Flip
- Variable speed from 0.1°/sec to 380°/sec (Slow, Normal, Turbo)
- Auto calibration from 0.1° to 6° (Tilt range is 0° to 180°)
- Up to 255 selectable camera addresses
- Multi-language Menu Display, password Confirmation
- Function Run menu using DVR without function key (Pattern, Scan, ...)
- Built-in RS-485 receiver driver
- AC 24v or DC 12V for Dome
- 3 Year Advanced Replacement Warranty

Day and Night Mode



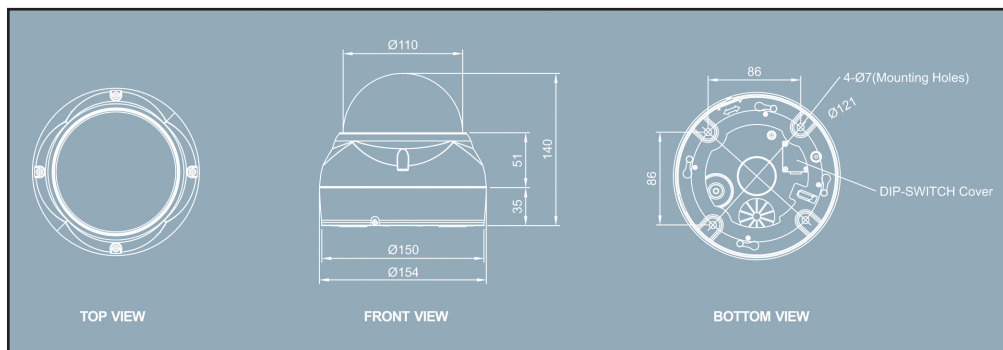
Variable Pan and Tilt



AN AD GROUP COMPANY

SPECIFICATION

MODEL		22X PTZ3 (Surface) Indoor	22X PTZ3 (Sunshield) Outdoor
MODULE	Image sensor	1/4" SONY Exview HAD CCD	
	Resolution	580 TVL	
	WDR	Level (x512, 54dB)	
	Min. illumination	0.5 lux(Color), 0.05 lux(B/W), 0.001 lux(Low-shutter)	
	Zoom ratio	22X optical, 16X digital zoom	
	Focus length	3.9mm ~ 85.8mm	
	Angle of view (H)	approx. 49.5°(wide) ~ 2.4°(tele)	
	F Number	F1.6(wide) ~ F3.7(tele)	
DOME	Panning angle	360° continuous rotation	
	Tilt angle	0° ~ 180° (digital flip)	
	Max speed	380°/sec	
	Auto scan	1 auto pan & 4 auto scans capability	
	Preset	120 presets	
	Tour	4 tours (consist of 42 functions / 1 tour)	
	Pattern	4 patterns (recording up to 200 sec.)	
	Alarm	1 input, 1 output (TTL)	
	Area title	it can be divided 8 areas with 12 characters of title	
	Privacy zone	4 privacy zone masking (2 methods selectable : Block / V.off)	
	Home Function	Off / Tour / Pattern / Auto Scan / Preset	
	Calibration	Auto	
	Control	RS-485	
	ID	255 selectable (Dip Switch)	
	Protocol	FatraxII, FatraxIle, Pelco-D, Pelco-P, ...	
	Baud rate	2400 / 4800 / 9600 / 19200 bps	
POWER	Power source for Dome	DC12V / AC24V ±10%	
	Power Source for Heater & Fan	-	AC24V ±10%
	Power consumption for Dome	12.0 Watts	
	Power Consumption for Heater & Fan	-	45.0 Watts
Environment	Operating Temperature	-10°C ~ +50°C	-30°C ~ +50°C
	External Dimension	Ø154 x 140 (H) mm (Bubble diameter Ø110)	Ø186 x 205 (H) mm (Bubble diameter Ø110)
	Weight	Approx. 1.5 kg	Approx. 2.2 kg



PRODUCT CODES*

VANDAL DOME : MINI PTZ 22X COLOR | 580 TVL
 VANDAL DOME : MINI PTZ 22X COLOR | 580 TVL

DM/CAM/VSD22XIA
 DM/CAM/VSD22XOA

* SEE OUR WEBSITE FOR FULL ACCESSORIES LISTING

PLEASE CHECK THE WEBSITE OR YOUR LOCAL REPRESENTATIVE FOR PRODUCT ORDERING INFORMATION AND OTHER DEVELOPMENTS

www.dedicatedmicrosinc.com

Dedicated Micros Americas | 14434 Albemarle Point Place, Suite 100, Chantilly, Virginia 20151 USA | Toll Free : 800 864-7539 | Tel: +1 703 904-7738 | Fax: +1 703 904-7743

The manufacturer reserves the right to change the specification without notice. All trademarks are courtesy of registered owners.

The DM logo is a trademark of Dedicated Microcomputers Group Ltd. NetVu Connected is a trademark of the AD group.

© Copyright Dedicated Micros, Inc.

